



Yodock® 2001



TRINITY
HIGHWAY

Ahead of the Curve™

Yodock® 2001

The Yodock® Model 2001 Barricade is a plastic, water-filled Longitudinal Channelizing Device (LCD) used for traffic & pedestrian channelization, road & street closures and perimeter fencing for vertical construction.

When assembled as an (LCD), the units are attached end-to-end using a plastic coupler and may be deployed either empty or full. Additional accessories are available that allow the 2001 to be used for temporary sign supports, perimeter fencing, and TL-3 longitudinal barrier applications.

Applications

Temporary Work Zones, Temporary Sign Support, Perimeter Fencing, Airport Construction & Maintenance, Parking Facilities, Municipal & Public Utilities, Security Checkpoints, Events & Crowd Control.

PERFORMANCE TESTED

Features

- Light weight system enables convenient positioning by hand — no heavy equipment required.
- Can be accessorized for longitudinal barrier, perimeter fencing, road closure and temporary sign support applications.
- Stackable for efficient transportation and storage.
- Manufactured from Low Density Polyethylene (LDPE).
- Available in custom colors.

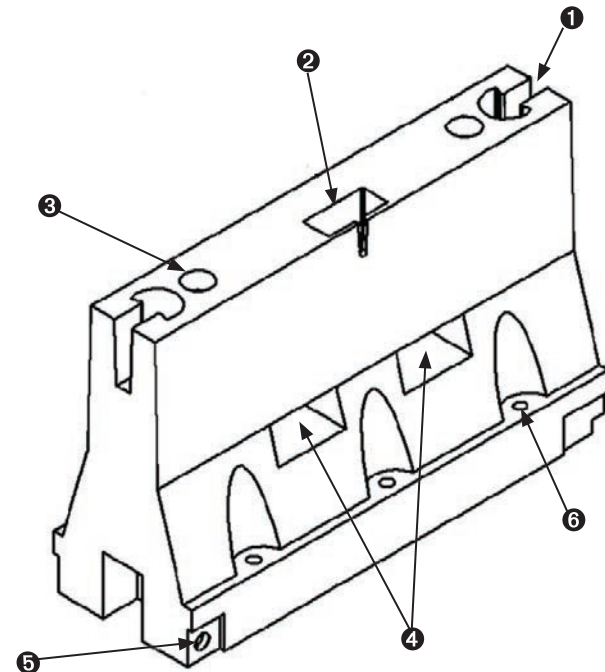
FHWA Acceptances

- Longitudinal Channelizing Device (LCD)
- Work Zone Barricade
- Temporary Sign Support
- Longitudinal Barrier (When used with Steel Rail Kit)

Specifications

- 6' length
- 24" width
- 46" height
- Empty: 130 lbs.
- Full: 1,500 lbs.

- ① Interlocking Coupler
- ② Light Box Recess
- ③ Fill Hole
- ④ Forklift Access
- ⑤ Drain Hole
- ⑥ Ground Mounting Ports



An original  YODOCK® product.

Distributed by:



20 Jones Street
New Rochelle, NY 10801
(914)636-1000



Copyright © 2014 Trinity Highway Products, LLC. All Rights Reserved.

9-14
www.trinityhighway.com
1.888.496.3625