

**Yodock® 2001M**



**TRINITY**  
**HIGHWAY**

*Ahead of the Curve™*

# Yodock® 2001M

The Yodock® Model 2001M Barricade is a plastic, water-filled Longitudinal Channelizing Device (LCD) used for traffic & pedestrian channelization, road & street closures and perimeter fencing for vertical construction.

When assembled as an (LCD), the units are attached end-to-end using a plastic coupler and may be deployed either empty or full. Additional accessories are available that allow the 2001M to be used for temporary sign supports, perimeter fencing, and TL-2 longitudinal barrier applications.

## Applications

Construction & Temporary Work Zones, Longitudinal Channelizer, Temporary Sign Support, Perimeter Fencing, Airport Construction & Maintenance, Parking Facilities, Municipal & Public Utilities, Security Checkpoints, Events & Crowd Control, Parks & Recreational Facilities.

# MULTI-PURPOSE USE

## Features

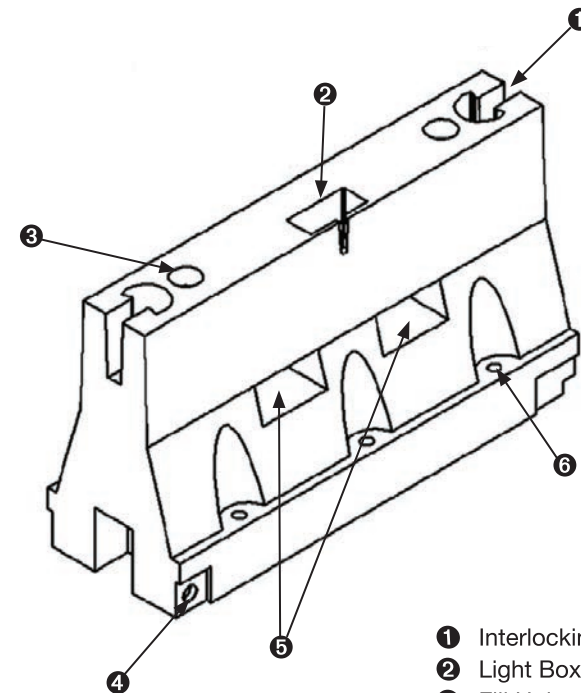
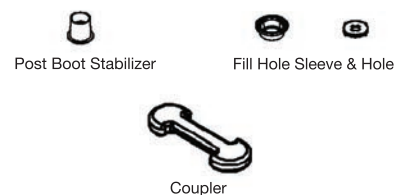
- Light weight system enables convenient positioning by hand — no heavy equipment required.
- Can be accessorized for longitudinal barrier, perimeter fencing, road closure and temporary sign support applications.
- Stackable for efficient transportation and storage.
- Manufactured from Low Density Polyethylene (LDPE).
- Available in custom colors.

## FHWA Acceptances

- Longitudinal Channelizing Device (LCD)
- Work Zone Barricade
- Temporary Sign Support
- Longitudinal Barrier (When used with Steel Rail Kit)

## Specifications

- 6' Length
- 18" Width
- 32" Height
- Empty: 75 lbs.
- Full: 750 lbs.



- 1 Interlocking Coupler
- 2 Light Box Recess
- 3 Fill Hole
- 4 Drain Hole
- 5 Forklift Access
- 6 Ground Mounting Ports

An original  YODOCK® product.

Distributed by:



20 Jones Street  
New Rochelle, NY 10801  
(914)636-1000

