



# Yodock® APC- Airport Barricade



**TRINITY**  
**HIGHWAY**  
*Ahead of the Curve™*

# Yodock® APC- Airport Barricade

The Yodock® APC-Airport Barricade is a highly-visible, frangible, low-profile channelization device used to delineate work zones for construction and maintenance on airport runways and taxiways. The Yodock APC system can be used to assist in the demarcation of airport runways and taxiways.

The Yodock APC system can be interlocked end-to-end when installed as a demarcation device or channelizer. Delineator posts, warning flags, and lights can be securely mounted to each unit.

The Yodock APC-Airport Barricade complies with FAA Advisory Circular 150/5370-2F requirements.

# LOW-PROFILE, HIGH VISIBILITY

## Features

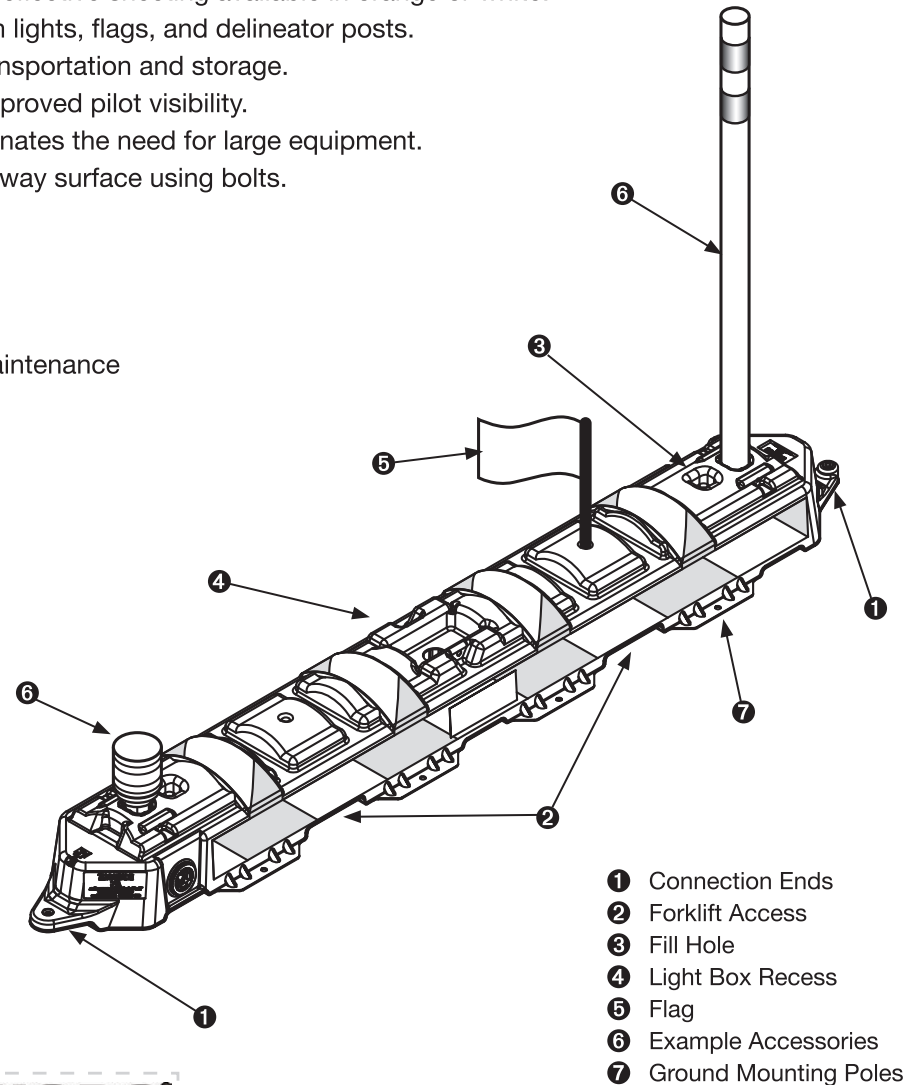
- Bright color options and reflective sheeting available in orange or white.
- Can be accessorized with lights, flags, and delineator posts.
- Stackable for efficient transportation and storage.
- Reflective sheeting for improved pilot visibility.
- Light weight system eliminates the need for large equipment.
- May be anchored to roadway surface using bolts.
- Jet blast resistant.
- UV resistant.

## Applications

- Airport construction & maintenance
- Runway projects
- Closed runway perimeter
- Longitudinal channelizer

## Specifications

- Length: 96"
- Width: 12"
- Height: 8"
- Empty: 22 lbs.
- Water Filled: 160 lbs.
- Capacity: 16 Gallons



An original  YODOCK® product.

Distributed by:

  
INDUSTRIES, INC.  
[www.transpo.com](http://www.transpo.com)

20 Jones Street  
New Rochelle, NY 10801  
(914)636-1000

