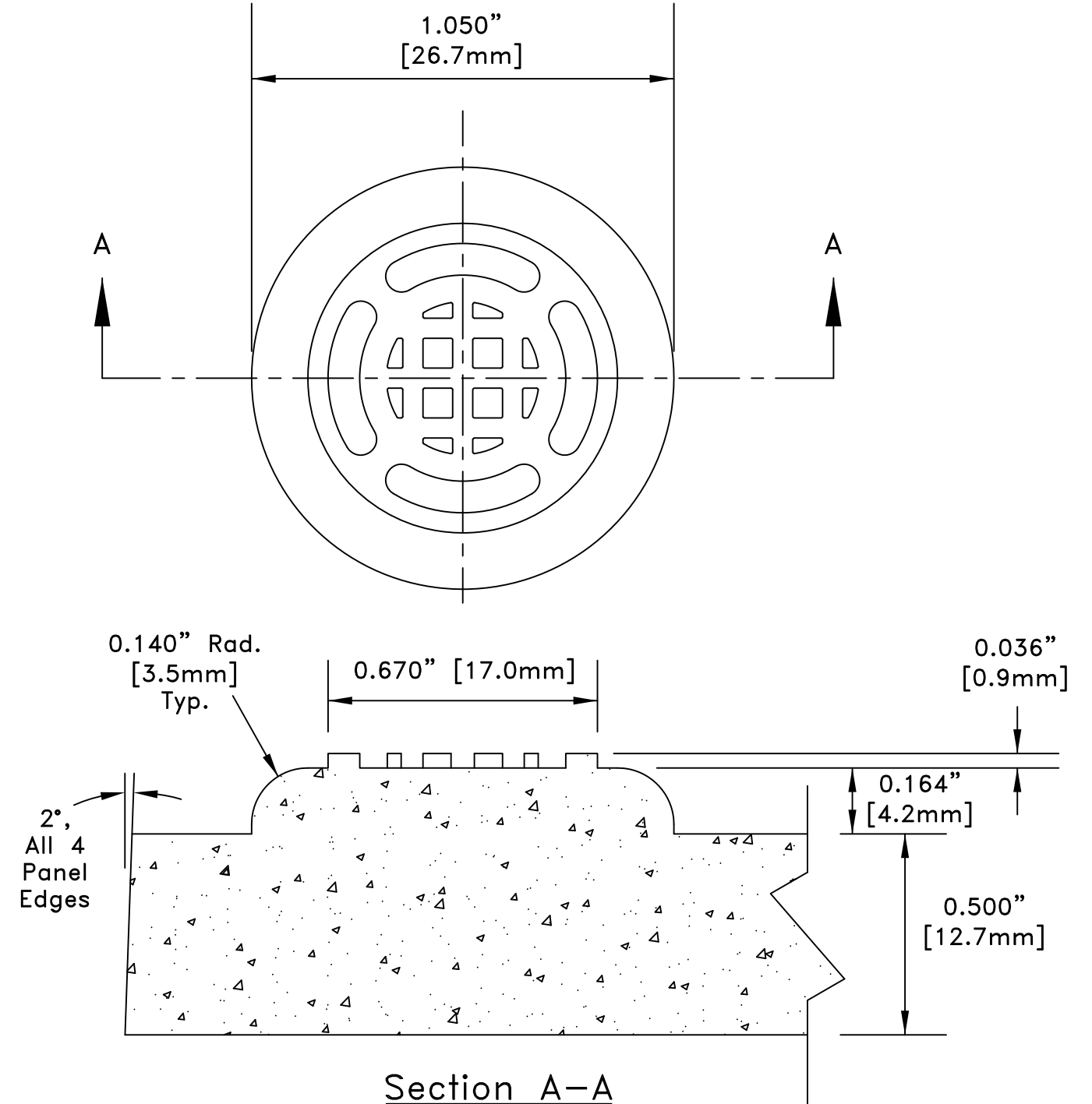
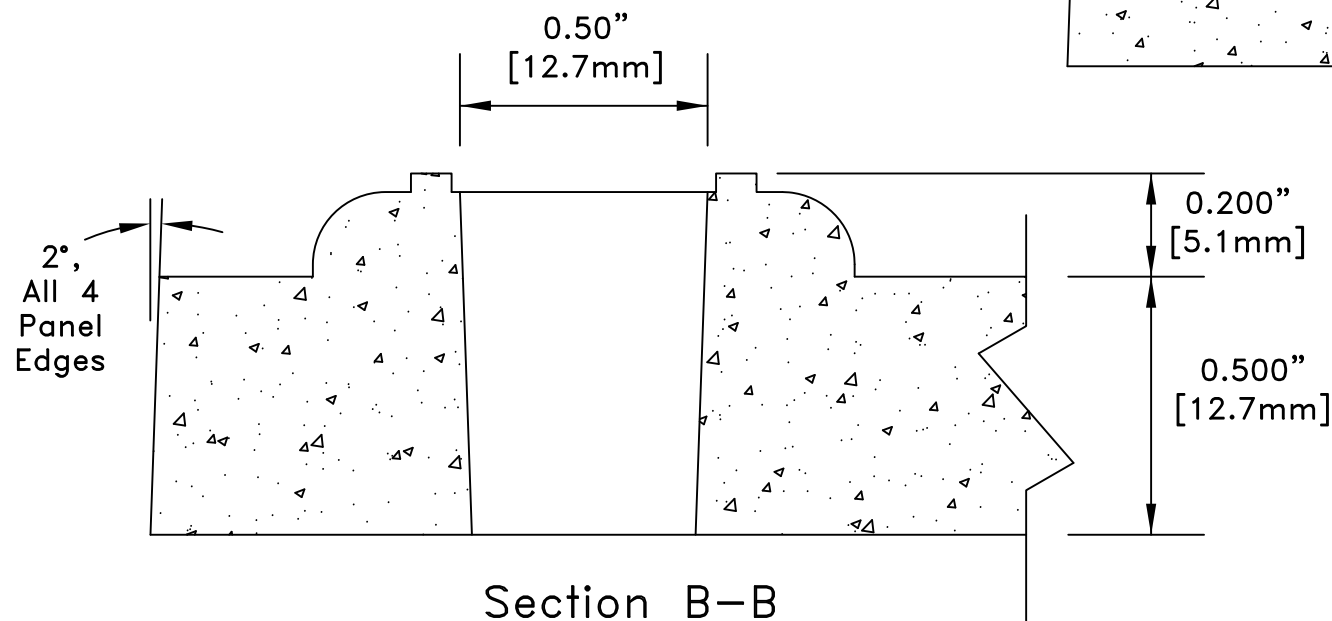


Tapered Hole, Typical,
4 Corner Buttons,
See Section B-B.

Tile Plan View



Section A-A
Typical



Section B-B
Typical, 4 Corner Buttons

NOTES:

1. All dimensions in inches [millimeters] unless otherwise noted.
2. Tiles are comprised of pre-cast polymer concrete.
3. See Technical Data Sheet for physical properties.

 TRANSCO INDUSTRIES, Inc. The Smart Solutions Company	20 Jones Street
	New Rochelle, NY 10801
	914-636-1000
	www.transpo.com

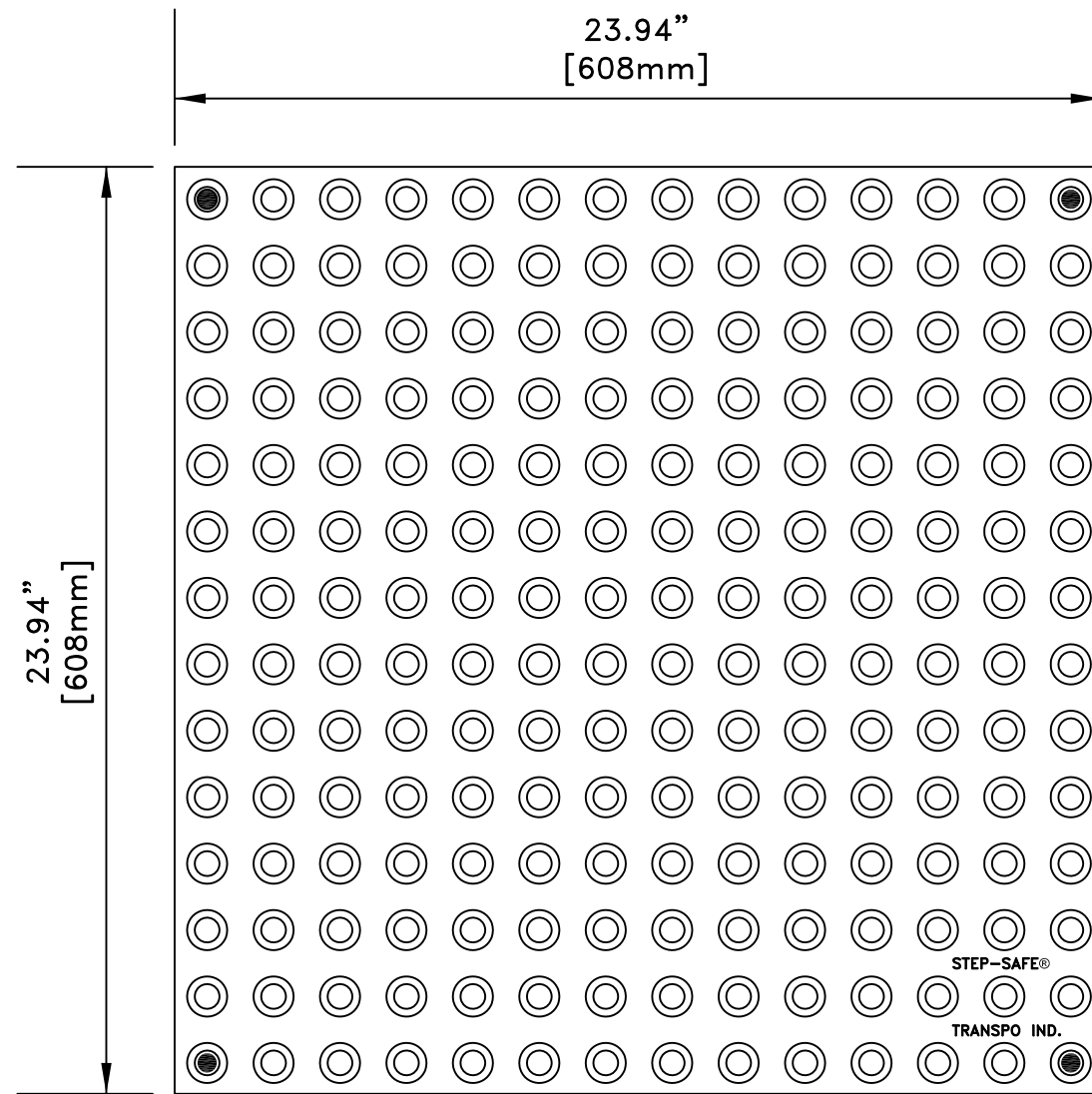
Step-Safe
ADA-Compliant Detectable Warning Tile
24" x 24" ADA Tile Details

Scale: Not To Scale

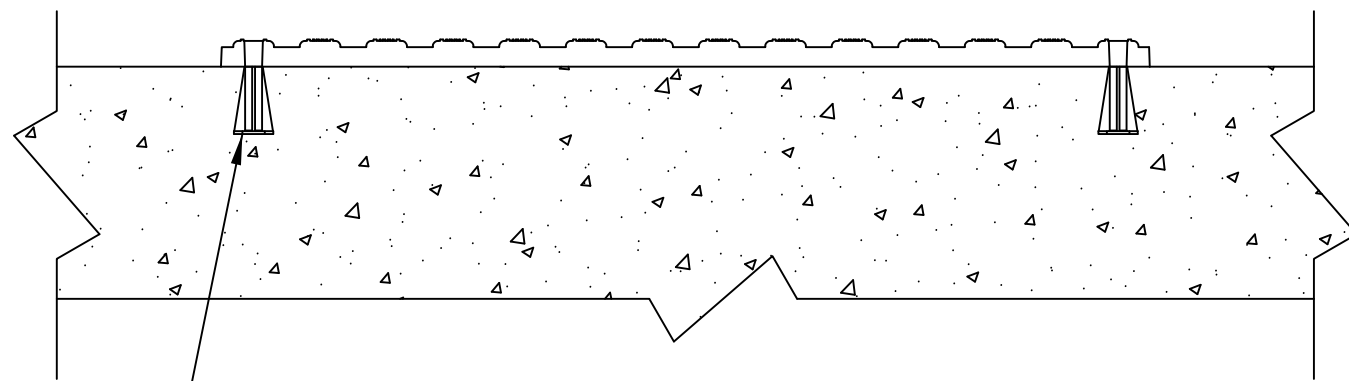
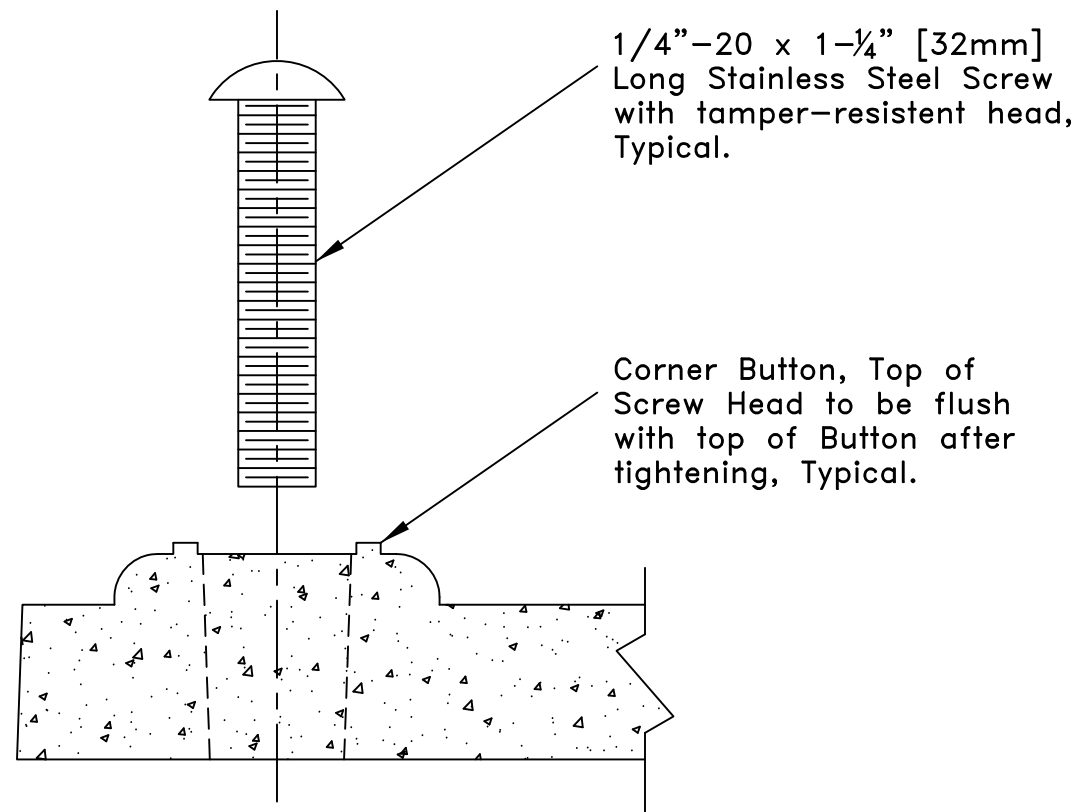
Date: June 2012

Drawing No. CK-601

Sheet: 1 of 2

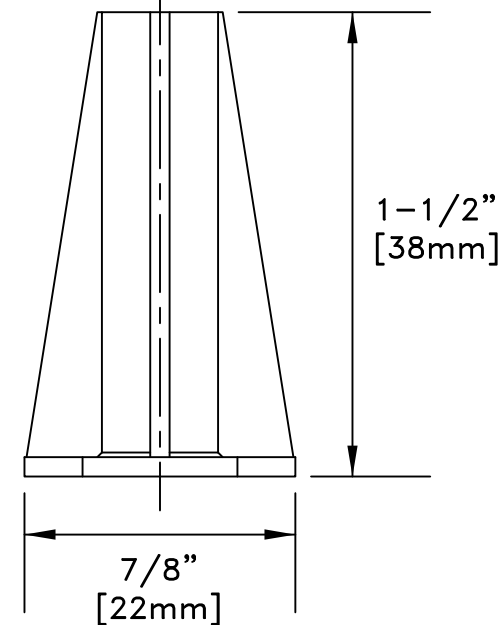


Plan View



Section View

Threaded Anchor Insert placed in fresh concrete, Typical, 4 Corners.



Threaded Anchor Insert

NOTES:

1. All dimensions in inches [millimeters] unless otherwise noted.
2. Tiles are comprised of pre-cast polymer concrete.
3. See Technical Data Sheet for physical properties.

TRANSCO® 20 Jones Street
 INDUSTRIES, Inc. New Rochelle, NY 10801
 914-636-1000
 The Smart Solutions Company www.transpo.com

Step-Safe
 ADA-Compliant Detectable Warning Tile
 24" x 24" Tile Installation Details