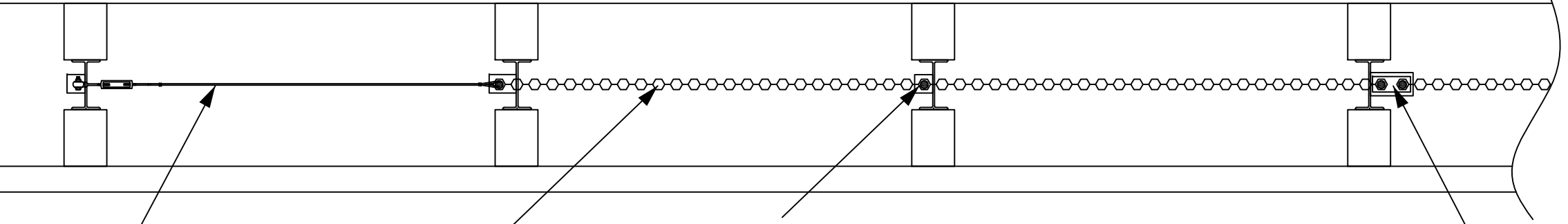


PLAN VIEW

NOTE: Details also apply to Single-sided Guardrail. Double-sided Median Guardrail is shown.



Cable Anchor/End Treatment Assembly, 1/4" Steel Cable, Typical.

Screen/Barrier Fabric, Coated Double-Reverse Corrugated (DRC) Steel, Typical.

Single Post Bracket and Post Bolt at each Guardrail Post, Typical.

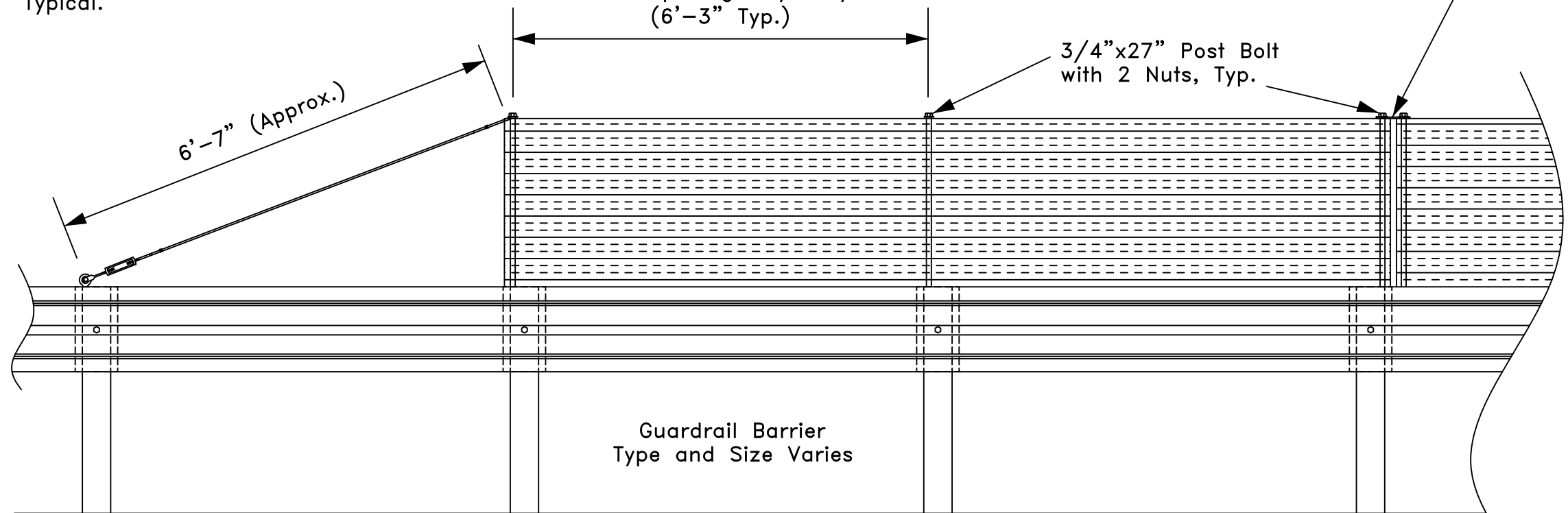
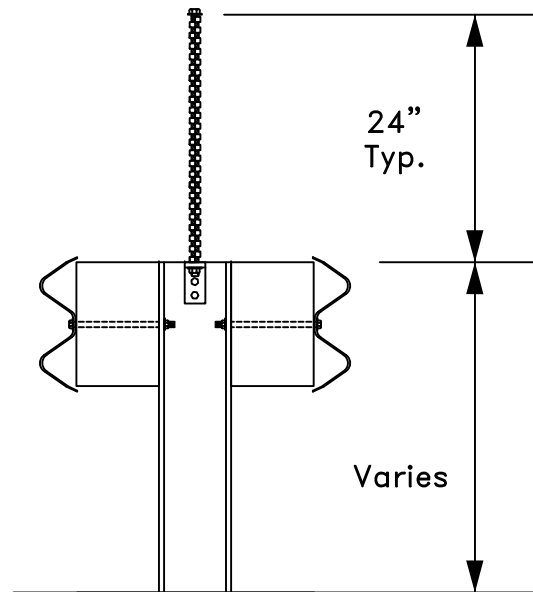
Screen Fabric Splice, Approx. every 50 ft, or as needed. Splice Bracket, Top Splice Plate & 2 Post Bolts, Typical.

NOTE: Brackets may be placed on either side of Guardrail Post, as needed.

Post Spacing May Vary (6'-3" Typ.)

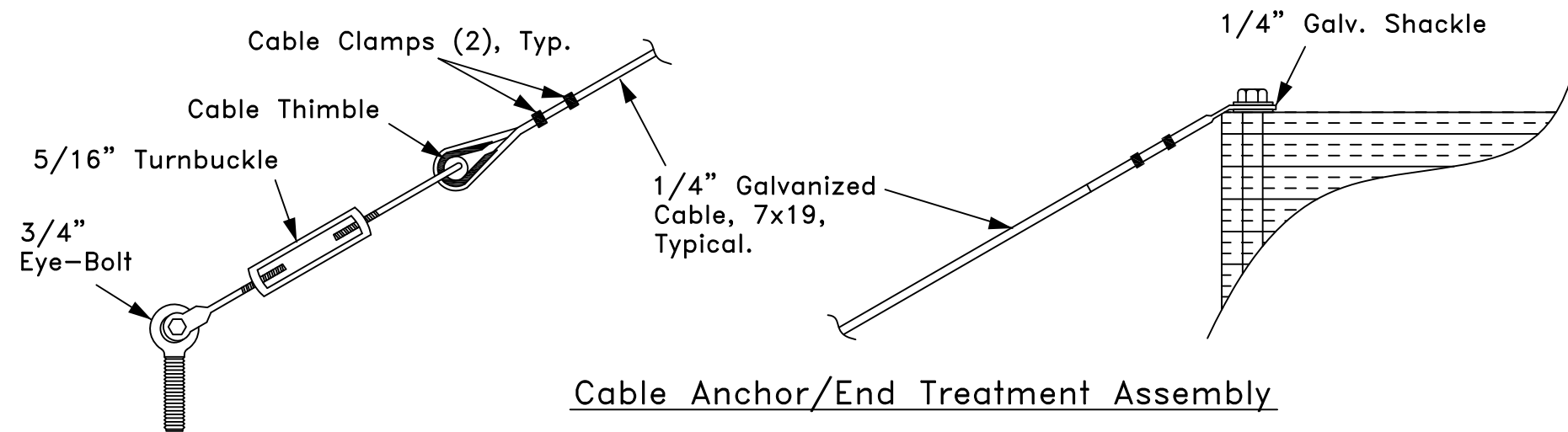
3/4"x27" Post Bolt with 2 Nuts, Typ.

6'-7" (Approx.)



SECTION VIEW

SIDE ELEVATION VIEW



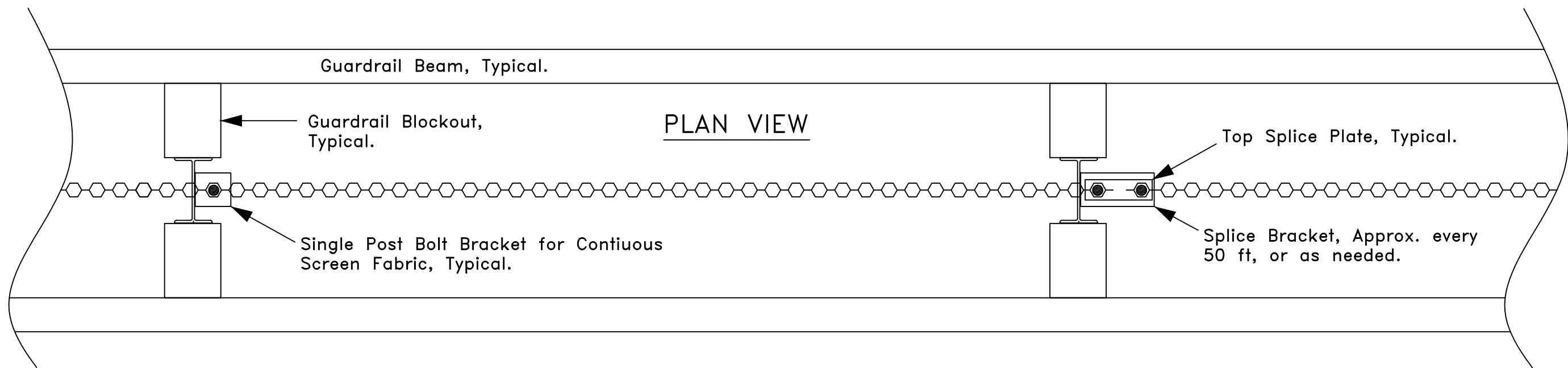
Cable Anchor/End Treatment Assembly

**TRANSPO**® 20 Jones Street  
 New Rochelle, NY 10801  
 INDUSTRIES, Inc. 914-636-1000  
 The Smart Solutions Company www.transpo.com

Screen-Safe  
 Glare Screen & Work-Zone Safety Shield  
 for Steel-Post Guardrail

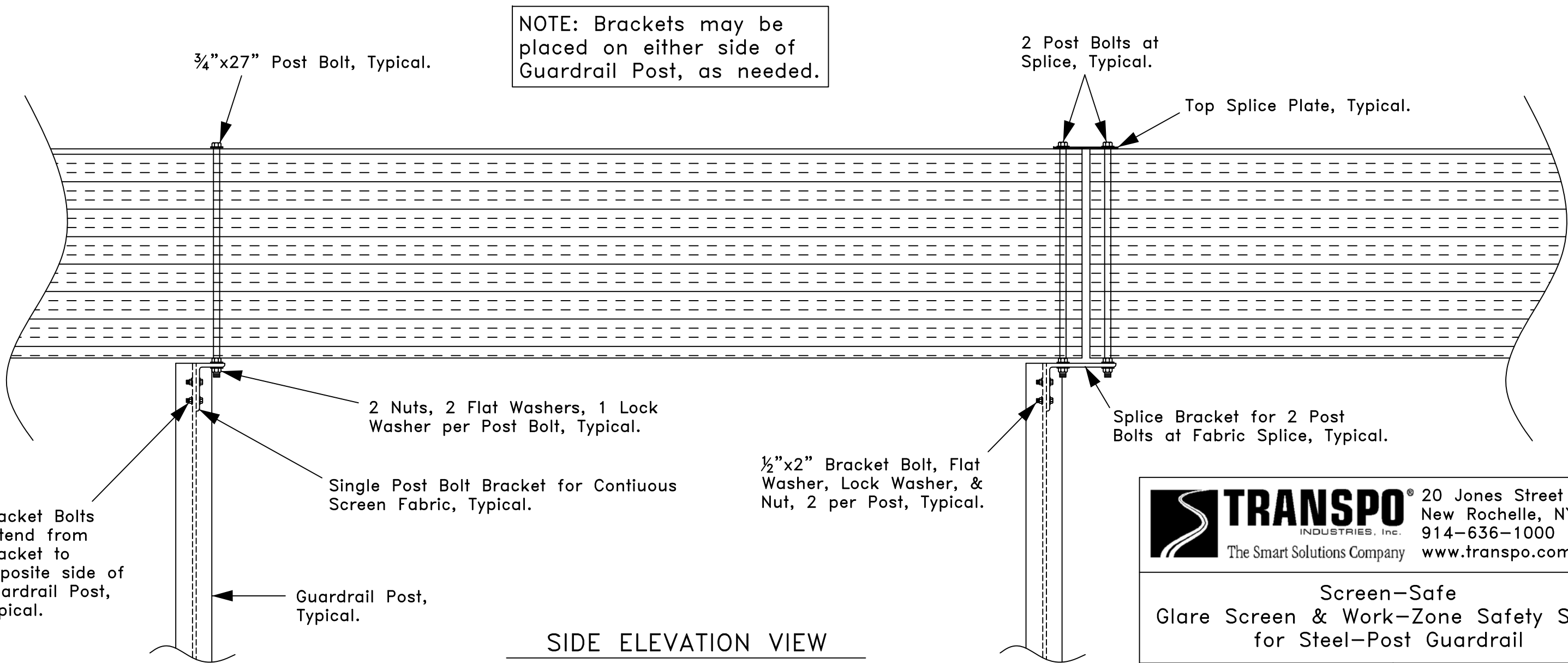
Scale: Not To Scale Date: November 2011

Drawing No. SS-SPGR-1 Sheet: 1 of 3



PLAN VIEW

NOTE: Brackets may be placed on either side of Guardrail Post, as needed.

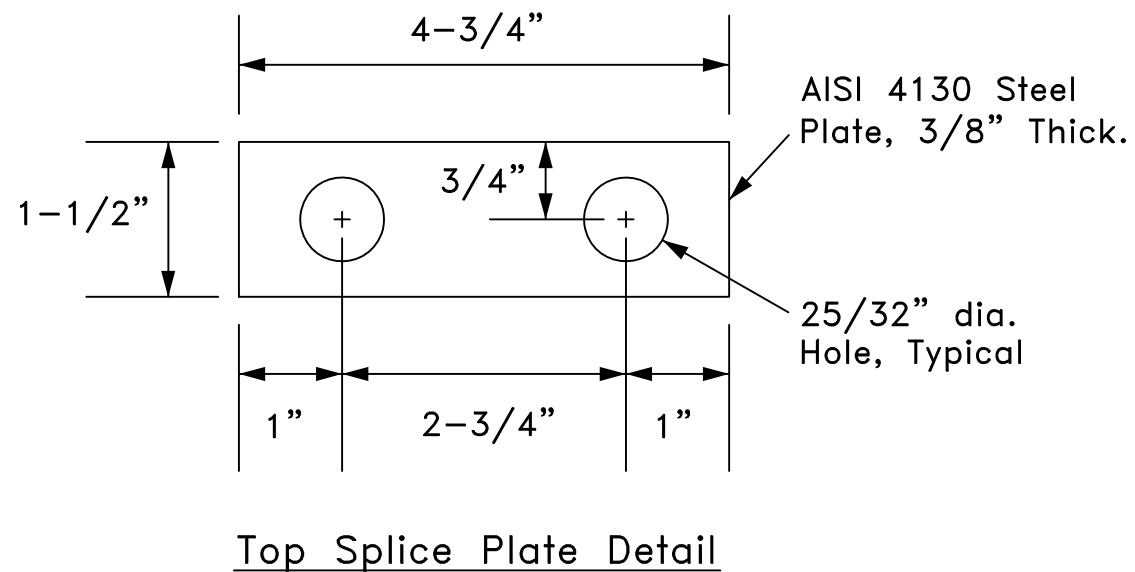
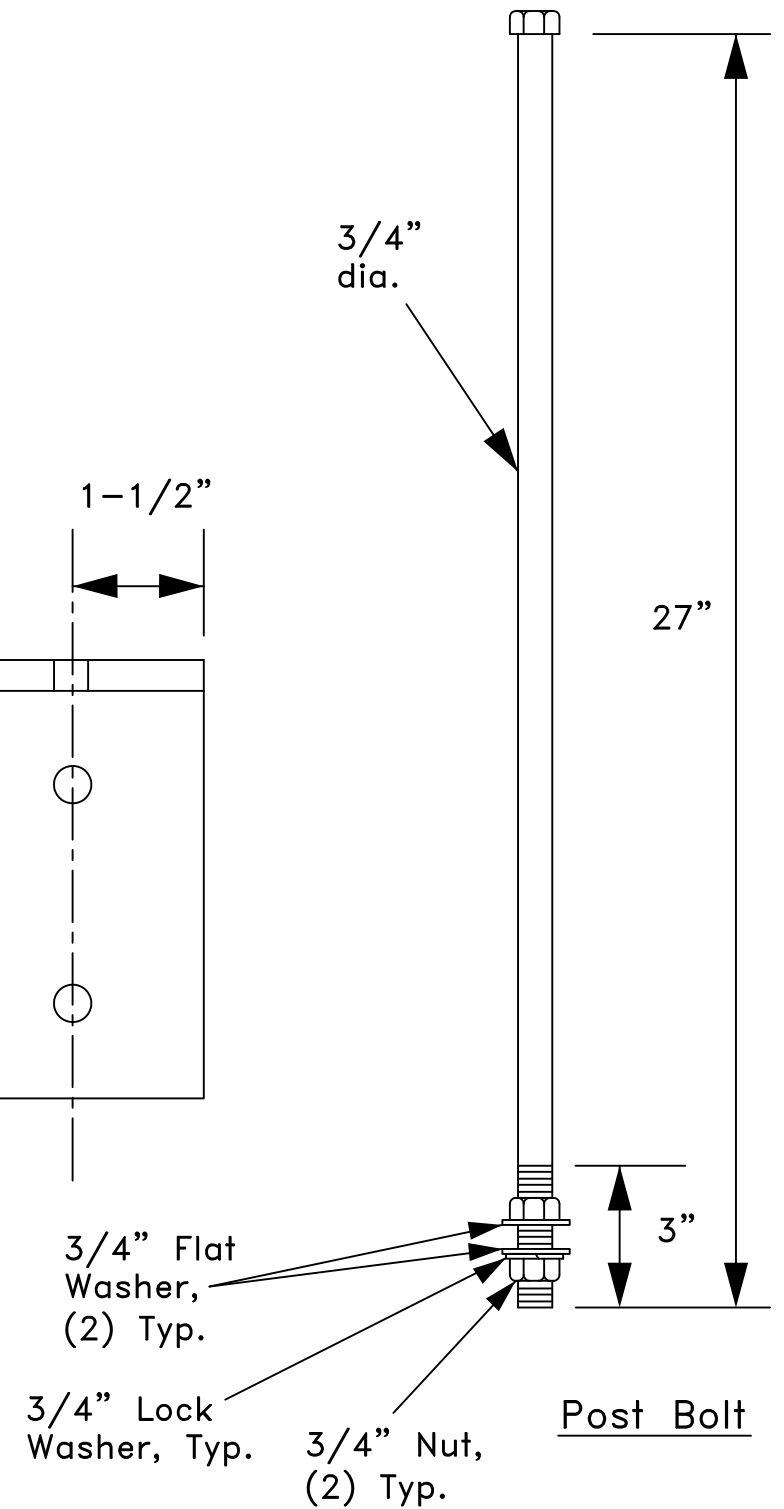
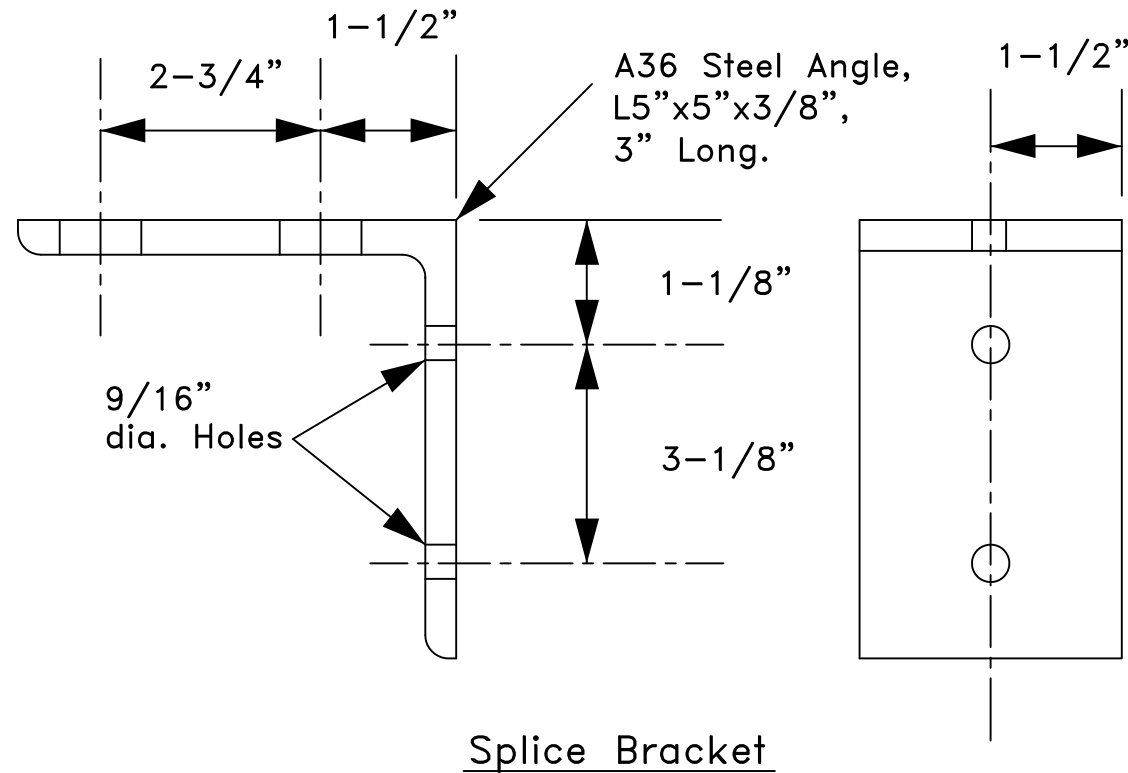
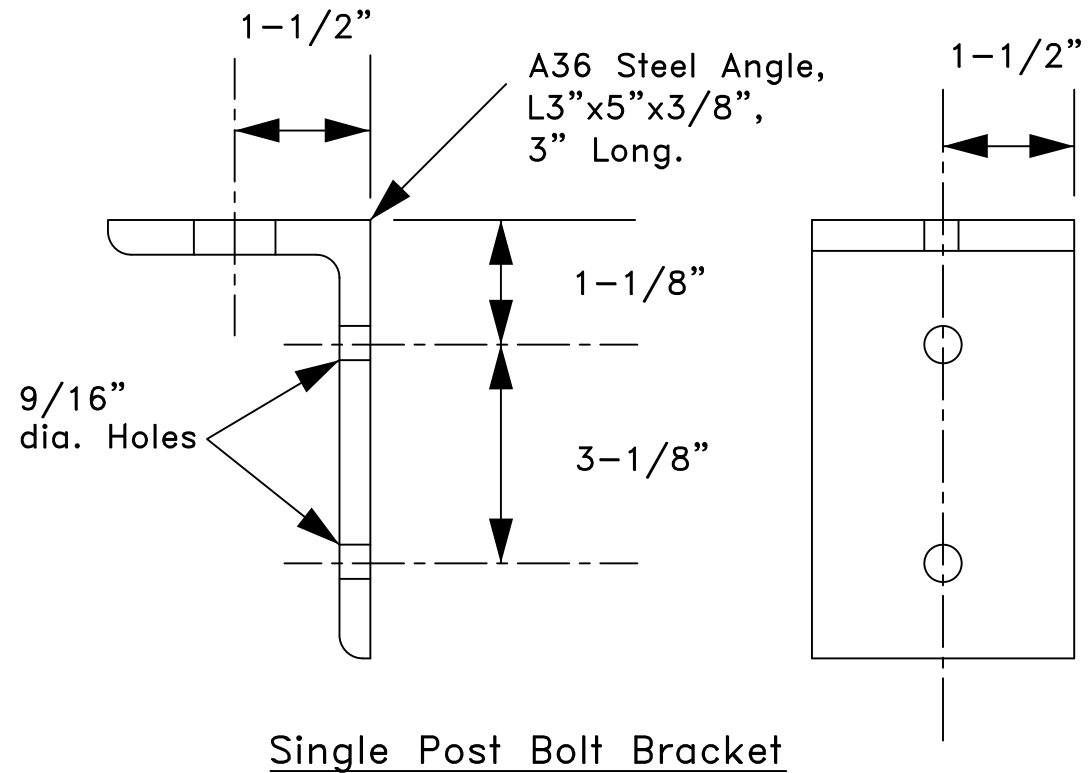
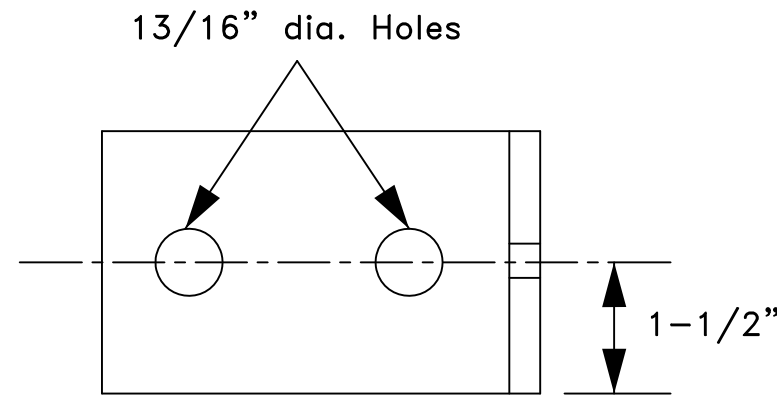
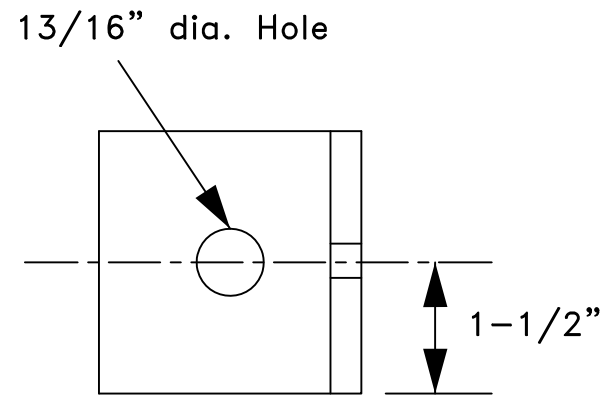


SIDE ELEVATION VIEW  
Rail Beam & Blocks Not Shown

 <b>TRANSPO</b> INDUSTRIES, Inc. The Smart Solutions Company	20 Jones Street
	New Rochelle, NY 10801
	914-636-1000
	www.transpo.com

Screen-Safe  
Glare Screen & Work-Zone Safety Shield  
for Steel-Post Guardrail

Scale: Not To Scale	Date: November 2011
Drawing No. SS-SPGR-2	Sheet: 2 of 3



**TRANSPO**® 20 Jones Street  
 INDUSTRIES, Inc. New Rochelle, NY 10801  
 914-636-1000  
 The Smart Solutions Company www.transpo.com

Screen-Safe  
 Glare Screen & Work-Zone Safety Shield  
 for Guardrail, Component Details

Scale: Not To Scale Date: November 2011

Drawing No. SS-SPGR-3 Sheet: 3 of 3