

## **SonoBlaster!® Fitness for Use**

- **PURCHASERS AND USERS OF THIS DEVICE SHALL EACH DETERMINE ON THEIR OWN, THE FITNESS AND SUITABILITY OF THIS DEVICE FOR THEIR PARTICULAR USE OR APPLICATION. NEITHER THE SELLER, DISTRIBUTOR, MANUFACTURER, NOR LICENSOR OF THIS DEVICE MAKE ANY CLAIM REGARDING ITS SUITABILITY OR FITNESS FOR USE IN ANY PARTICULAR APPLICATION.**
- **THE USE OF MULTIPLE SONOBLASTER UNITS IN THE SAME AREA IS RECOMMENDED TO PROVIDE THE MAXIMUM POSSIBLE LEVEL OF WORK ZONE SAFETY PROTECTION.**

## **Impacted SonoBlaster!® Units**

SonoBlaster units and SonoBlaster Mounting Brackets involved in any vehicle impact or crash are NOT TO BE REUSED for worker protection and must be destroyed and replaced with a new unit.

### **C a u t i o n :**

**The SonoBlaster can produce sound in excess of 125 dB.  
Hearing protection meeting minimum NRR 33 must be worn while  
activating or handling an activated unit.**

## **Warranty**

The following warranty is made in lieu of all other warranties, either expressed or implied. This product is manufactured of selected materials by skilled technicians. Neither seller nor manufacturer has any knowledge or control concerning the purchaser's use of either product and no warranty is made as to the results of any use. The only obligation of either seller or manufacturer shall be to replace any quantity of this product that proves to be defective. Neither seller nor manufacturer assumes any liability for injury, loss or damage resulting from the use of this product.

**SonoBlaster!®** is protected by Patents 6,075,450 & 6,357,382

**SonoBlaster!®** is a registered trademark licensed to Transpo Industries, Inc.  
©2009 4/28/09

## **SonoBlaster!®**

FHWA NCHRP-350 Accepted  
Category II Safety Device  
HSA-10 / WZ-131

[www.transpo.com/sonoblaster.htm](http://www.transpo.com/sonoblaster.htm)



20 Jones Street New Rochelle, NY 10801  
Phone: 914.636.1000 Fax: 914.636.1282

[info@transpo.com](mailto:info@transpo.com)

# **SonoBlaster!®**

## **Work Zone Intrusion Alarm**

### **Mounting Bracket for Traffic Cone Stacking Installation Instructions**

#### ***A New Concept in Work Zone Intrusion Protection***

The SonoBlaster Work Zone Intrusion Alarm impact activated safety alarm alerts both roadway workers and errant vehicle drivers at the same time to help reduce crashes and injuries in our nation's highway work zones.

The SonoBlaster Traffic Cone Mounting Bracket provides for mounting the SonoBlaster unit on a typical traffic cone allowing cones to stack for storage with SonoBlaster devices mounted in place.

#### ***SonoBlaster!® Cone Mounting Bracket Contents:***

- 1 - The SonoBlaster Traffic Cone Mounting Bracket
- 2 – 1¼" Mounting Screws
- 4 – Large Washers
- 2 – Hex Nuts

## **SonoBlaster!®**

FHWA NCHRP-350 Accepted  
Category II Safety Device  
HSA-10 / WZ-131

[www.transpo.com/sonoblaster.htm](http://www.transpo.com/sonoblaster.htm)

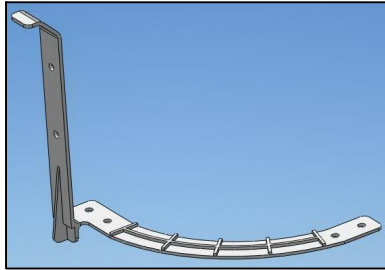


20 Jones Street New Rochelle, NY 10801  
Phone: 914.636.1000 Fax: 914.636.1282

[info@transpo.com](mailto:info@transpo.com)

## SonoBlaster!® Bracket Installation Instructions: Installing Mounting Bracket on a Standard Traffic Cone

1. **Bracket Alignment.** Align the SonoBlaster Bracket on base of cone with alignment tab positioned over edge of cone base. The tab should assure proper alignment to provide cone clearance when stacking cones. Check the bracket mounting position by placing another cone on top to assure proper clearance. Adjust as necessary.

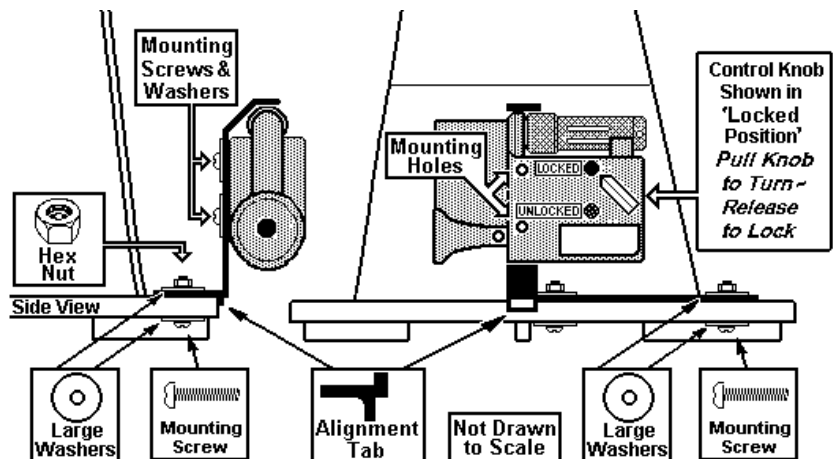


2. **Drill Mounting Holes.** The bracket is attached to cone base with two ¼-20 screws. One screw is used at each end of the bracket. Choose one hole at each end that avoids interference with the feet under the cone base. Mark hole locations, remove bracket and drill ¼" or 9/32" holes.

3. **Choosing Mounting Screws.** Choose the longer 2" screws provided with SonoBlaster unit for thicker bases. Use the shorter 1¼" screws provided with bracket for thinner bases.

4. **Attach Bracket.** Attach the bracket to the cone base using washers on the bracket and under the base of the cone. Tighten screws securely.

5. **Mount SonoBlaster Unit.** Attach the SonoBlaster to the bracket using the remaining ¼-20 screws & washers. Do not over tighten screws.



→ Wear Personal Hearing Protection When Handling SonoBlaster Units with CO<sub>2</sub> Cartridges in Place !!! ←

## Stacking SonoBlaster!® Traffic Cones

– With Personal Hearing Protection In Place –

### Deactivating SonoBlaster!® Prior to Stacking

- Deactivate the SonoBlaster unit prior to stacking unit for storage.
- Turn the CONTROL KNOB to the LOCKED POSITION without tilting or jarring the unit.

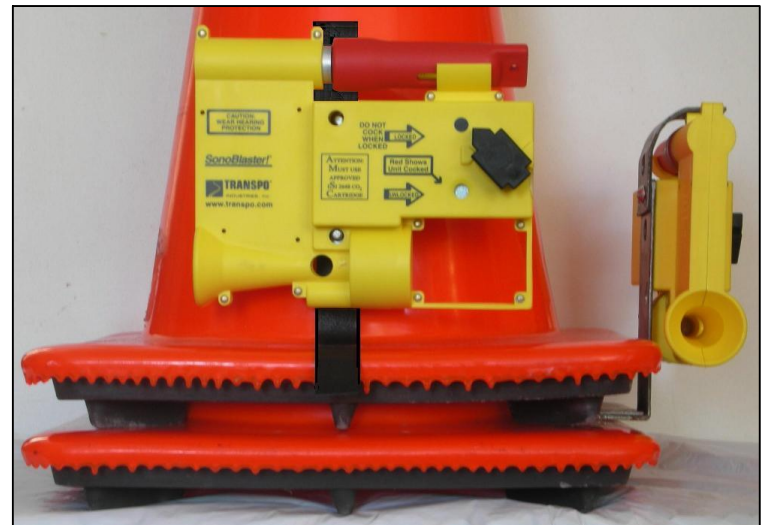
*[Pull Knob Out to Turn – Release to Lock Knob in Place]*

- The SonoBlaster is now disarmed and will not fire if tilted or moved.

### Stacking SonoBlaster!® Units

- Turn SonoBlaster equipped cone one-quarter turn (90 Degrees) and place on top of prior SonoBlaster cone.
- Continue stacking units by rotating the next unit one-quarter turn (90 Degrees) in the same direction from the prior unit.

Keep SonoBlasters in LOCKED POSITION while stacked for storage.



### See SonoBlaster!® Operation Manual for Information on:

- Operating Procedures
- Test Firing
- Deploying the SonoBlaster!
- Care and Maintenance
- Long Term Storage or Shipping
- Additional Information